

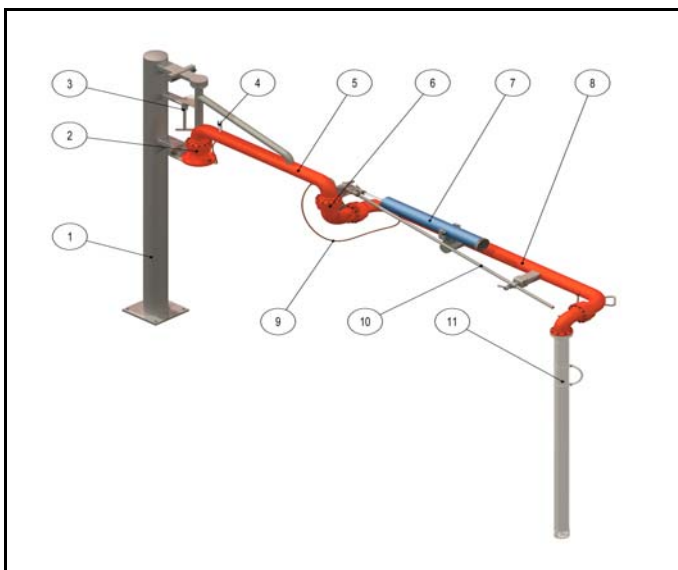
## Top Loading Arms



*Suitable for of Hot Liquid Bitumen,  
Diesel and Heavy Fuel Oils.*

**Designed for transferring product from storage facility to tanker or railcar.**

- Design Temperature. Up to 260 Deg C.
- Multiple application arm.
- Spring, hydraulic and pneumatic operation
- Easily operated installed and maintained.
- Adjustable and lockable position.
- Product design assistance.
- Dimensions, material and structure to be specified by customer.



### Accessories and Auxiliary Items:

- Safety overfill device.
- Drip Bucket.
- Steam, vapour or electrical trace heating.

### Components of Arm :

- 1) Base riser
- 2) Inlet
- 3) Inboard arm lock
- 4) Vacuum breaker
- 5) Inboard arm
- 6) Swivel joint
- 7) Balance system
- 8) Outboard arm
- 9) Conducting system
- 10) Outboard arm lock
- 11) Drop pipe